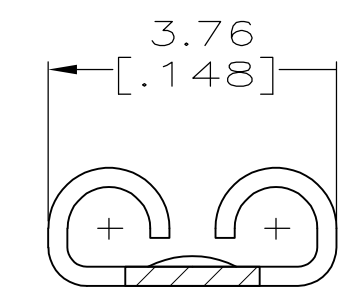
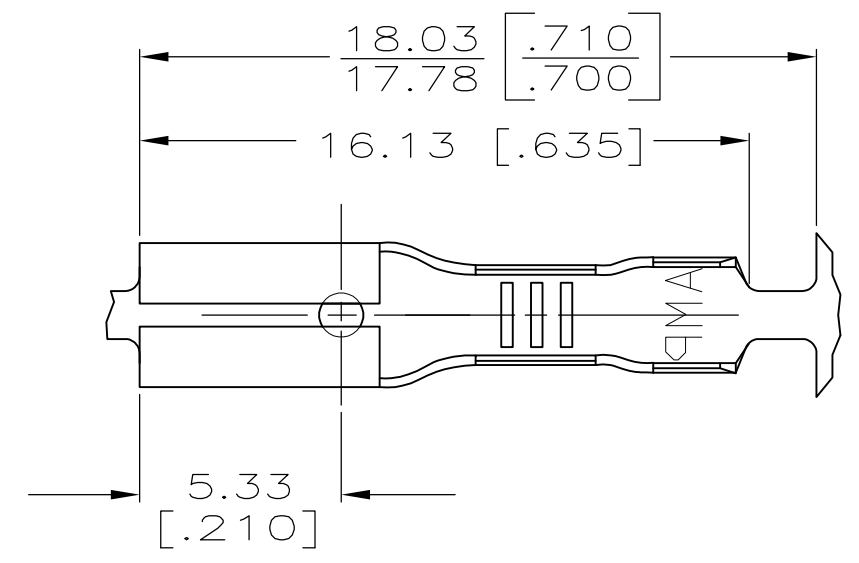


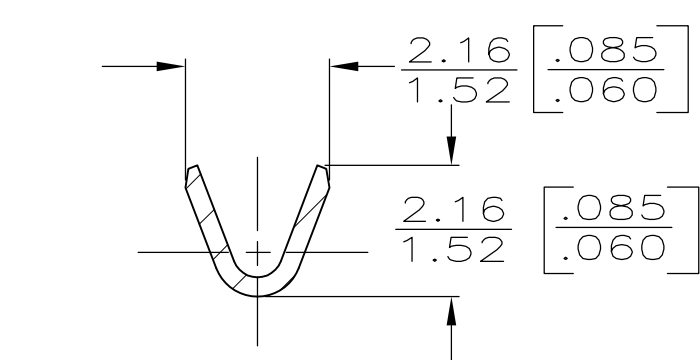
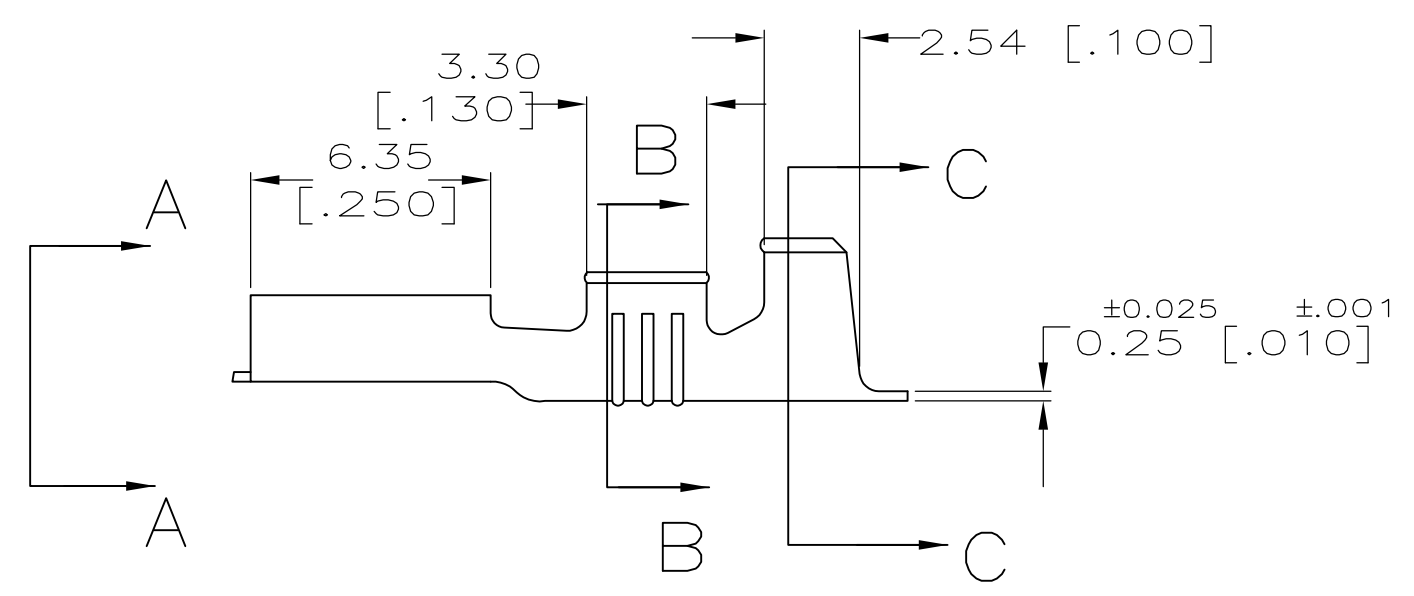
THIS DRAWING IS UNPUBLISHED. RELEASED FOR PUBLICATION
 © COPYRIGHT - By - ALL RIGHTS RESERVED.

LOC	DIST	REVISIONS			
P	LTR	DESCRIPTION	DATE	DWN	APVD
AF	50	C	REVISED PER ECR-12-013518	23NOV2012	KH PD

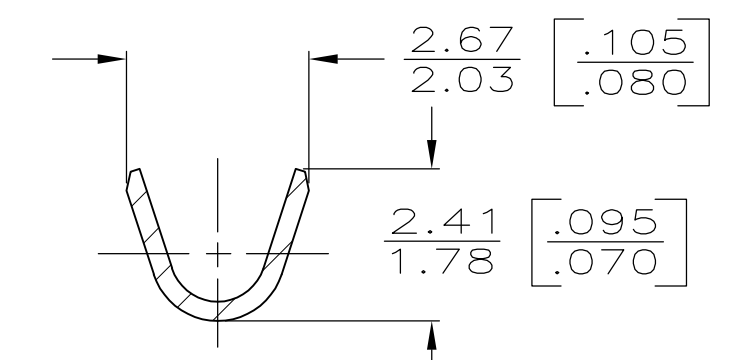
1 CONTINUOUS STRIP ON REELS.



VIEW A-A
SCALE 10:1



SECTION B-B
SCALE 10:1



SECTION C-C
SCALE 10:1

PRE-TIN	1.01-1.52 [.040-.060]	0.2-0.3mm ² [24-22] AWG	0.81 [.032]	63634-1
FINISH	INSUL RANGE DIA	WIRE SIZE	MATING TAB THK ±.001	PART NUMBER

THIS DRAWING IS A CONTROLLED DOCUMENT.		DWN JR RUTH 12/13/91	TE Connectivity	
DIMENSIONS: mm [INCHES]		CHK MS FEHER 12/13/91		
TOLERANCES UNLESS OTHERWISE SPECIFIED:		APVD C MEYERS 12/13/91	NAME RECEPTACLE, FASTON, 2.79 [.110] SERIES	
0 PLC ± - 1 PLC ± - 2 PLC ± - 3 PLC ± .010 4 PLC ± - ANGLES ± -		PRODUCT SPEC -	SIZE A3	
MATERIAL BRASS		FINISH SEE TABLE	APPLICATION SPEC -	CAGE CODE 00779
		WEIGHT -	DRAWING NO C-63634	RESTRICTED TO -
		CUSTOMER DRAWING		SCALE 5:1
				SHEET 1 OF 1
				REV C